

# RDM67L 系列漏电断路器 Series Leakage Circuit Breakers



## 1.Application

RDM67L series residual current circuit breaker, is applied to distribution network of AC50Hz, rated operate voltage 400V, rated operate current up to 800A for protecting people indirectly touch, and circuit transferring, motor starting unfrequently. And it has overload long-delay inverse time limit, short-time instantaneous and undervoltage, and residual current protect function, to protect circuit and equipment.

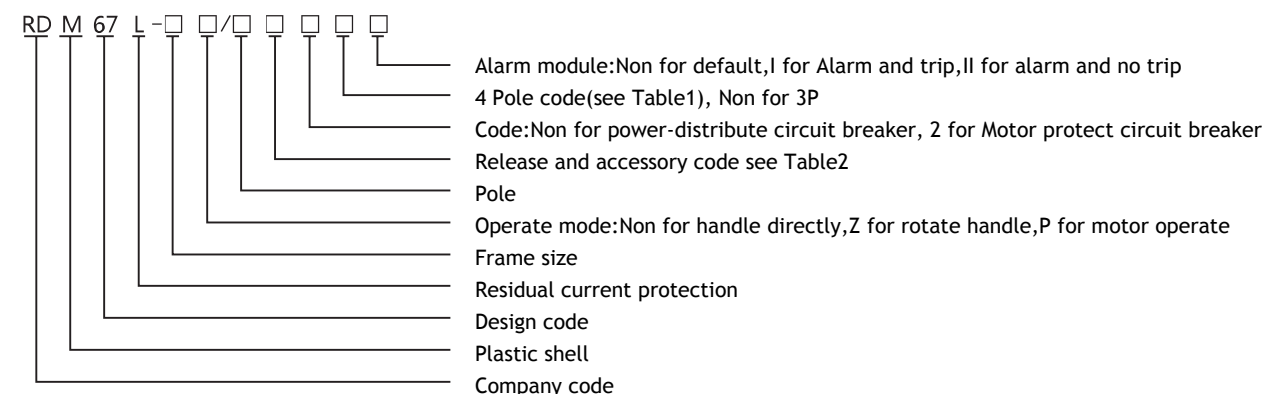
This circuit breaker has the advantages of compact volume, high-breaking capacity, short-arc.

This circuit breaker has isolate function.

This circuit breaker shall no change the input direction, N, 1, 3, 5 terminal shall connect power side, 2, 4, 6, N shall connect load side.

This circuit breaker conforms to standards of IEC60947-2.

2. Model No.



3. Operate, install and transportation condition

- 3.1 Temperature: Max +40°C, Min +35°C. Day average shall no more than +35°C
  - 3.2 Altitude: Max 2000,
  - 3.3 Humidity: At +40°C, humidity max reach 50%. But the higher humidity can be allowed at lower temperature. For instance, 90% is acceptable at +20°C. And the condensation should be taken care at temperature changing.
  - 3.4 Pollution level: 3 Level
  - 3.5 Install location: medium without metal corrosion and insulation damage gas and conduct dust, and also no impact and rain water influence, tilt between Install plate and each direction shall no more than 5°.
  - 3.6 Install external magnetic field shall no more than 5 times of ground magnetic.
- It is suitable for B type electromagnetic environment.

3. Main technical performance parameter

RDM67L series residual current circuit breaker parameter Table:

Model No.	RDM67L-100	RDM67L-225	RDM67L-400	RDM67L-800
Frame size current Inm(A)	100	225	400	800
Rated current In(A)	10, 16, 20, 25, 32, 40, 50, 63, 80, 100	100, 125, 160, 180, 200, 225	225, 250, 315, 350, 400	400, 500, 630, 700, 800
Rated operate voltage Ue(V)	400	400	400	400
Rated insulation voltage Ui(V)	690	690	690	690
Rated impulse withstand voltage Uimp(V)	8000	8000	8000	8000
Pole	2, 3, 4	2, 3, 4	3, 4	3, 4
Breaking capacity Level	M	M	M	M
Rated ultimate short-circuit breaking capacity Icu(kA)	AC400V 50	50	65	57

Rated operate short-circuit breaking capacity Icu(kA)	AC400V 35	35	42	50
Using type	A	A	A	A
Arc distance(mm)	≤50	≤50	≤100	≤100
Electrical life	1500	1000	1000	500
Mechanical life	8500	7000	4000	2500

4. Main technical characteristic

1. This product provides human indirectly contact, also can be used to prevent the fire danger of grounding fault current which causes by insulation damage. And it also can provide Motor protect, or distribute protect against overload, grounding faults, etc.
2. Function: Overload long-delay inverse time limit, short-circuit instantaneous, residual current protection functional parameter set. In the residual current, moving time setting, there is 3 level to adjust according to requirement.
3. Pole: 2P, 3P, 4P. (The 2P only has RDM67L-100/2300, RDM67L-225/2300)
4. Connection type: plate front wiring, plate back wiring, insert type
5. Using type: For power distribution, Motor-protection
6. Overload release type: thermal-move--electromagnetic (combination type), electromagnetic type (Instantaneous type)
7. Operate mode: handle direct, motor operate (code:P), rotate handle operate (for cabinet, code:Z)
8. Residual current breaking time: Non-delay and delay

5. Circuit breaker shape and install dimension

shape dimension see Fig1, Fig2 and Table1

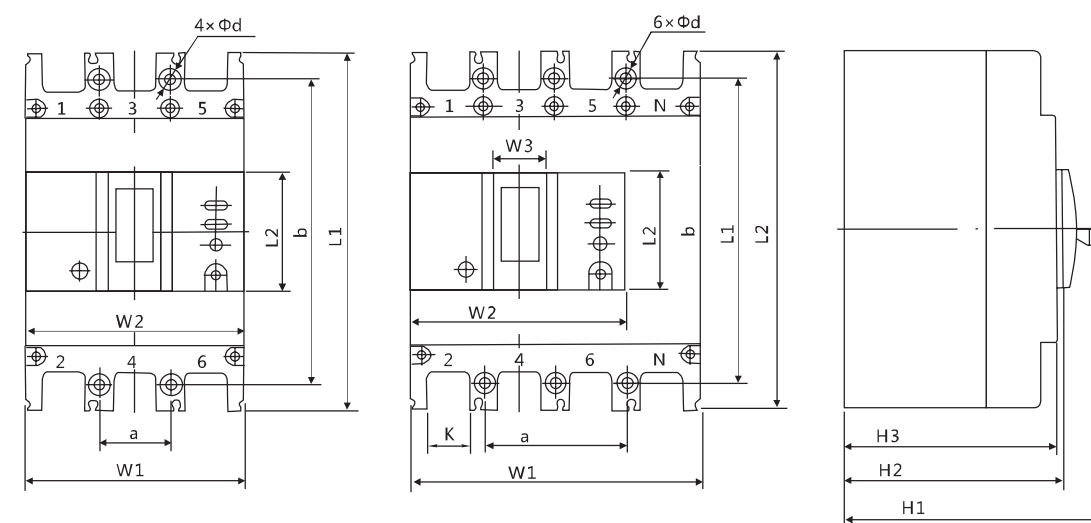


Fig1 3P and 4P circuit breaker shape and install dimension

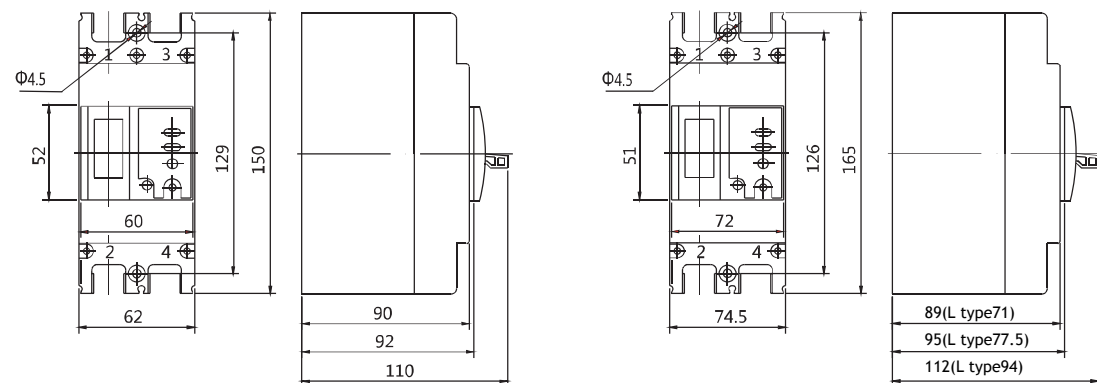


Fig3a RDM1L-100/2300

Fig3b RDM1L-225/2300

Table1 Circuit breaker shape dimension

Model No.	Pole	Plate front wiring									Install dimension		
		L1	L2	W1	W2	W	H1	H2	H3	K	a	b	Φd
RDM67L-100	3	150	52	92	88	23	110	92	90	18	30	129	4.5
	4	150	52	122	88	23	110	92	90	18	60	129	4.5
RDM67L-225	3	165	52	107	102	23	110	90	88	23	35	126	5
	4	165	52	142	102	23	110	90	88	23	70	126	5
RDM67L-400	3	257	130	150	150	65	150	110	108	32	44	215	7
	4	257	92	198	142	65	150	110	108	32	44	215	7
RDM67L-800	3	280	138	210	210	66	150	116	111	44	70	243	7
	4	280	92	280	182	64	150	116	111	44	70	243	7

### 6. Order Note

Please note the following requirements:

1. Model No., specification
2. Pole
3. Release type and name
4. Protect characteristic
5. Rated residual current moving current
6. Quantity.

