

▶ Application

HL series Travel switch is applicable for Control circuit of AC 50Hz, rated AC voltage up to 380V, DC voltage up to 220V, as stroke control of motion mechanism, motion direction or speed transformation.

This production conforms to standard of GB14048.5, IEC60947-5-1.

▶ Normal working condition and installation condition

- 2.1 Altitude: lower than 2000m.
- 2.2 Ambient temperature: no higher than +40°C, and no lower than -50°C, and day average temperature shall no more than +50°C.
- 2.3 Humidity: Relative humidity shall not exceed 50% at the Max temperature, and higher humidity could be accepted at lower temperature. The condensation must be taken care which is caused by temperature change.
- 2.4 Pollution level: III type
- 2.5 Installation type: III

▶ Main technical parameter

- 3.1 Rated insulation voltage U_i : 500V (50Hz)
- 3.2 Conventional heating current I_{th} : 5A
- 3.3 Rated working voltage and current see Table1:

Table1

Using type	Rated working voltage U_e (V)	Rated working current I_e (A)
AC-15	380	2
DC-13	220	0.4

- 3.4 Power frequency withstand voltage: 1890V, without Flashover or breakdown phenomenon
- 3.5 Insulation resistance: no less than 100M
- 3.6 Protective class: IP66
- 3.7 Mechanical life: 2million, Electrical life: 500 thousand.
- 3.8 Operational frequency: 120/min, Operational speed: 5m/s to 0.5m/s
- 3.9 Motion parameter, see Table2



Table2

Model No.	Operation mode	Operation force(N)	Reset force(N)	Operating Range	Overtravel	Total travel
HL-5000	Roller rotating arm	≤7.4	≥1	22.5°	≥75°	≥95°
HL-5030	Adjustable roller rotating arm	≤7.4	≥1	22.5°	≥75°	≥95°
HL-5050	Adjustable rotating rod	≤7.4	≥1	22.5°	≥75°	≥95°
HL-5100	Direct pressure plunger type	≤7.4	≥2	2	≥4	≥5.8
HL-5200	Direct pressure plunger roller	≤8.8	≥2	2	≥4	≥5.8
HL-5300	Universal spring soft rod	≤1.5	≥0.3	22.5°	≥20°	≥50°

▶ Overall and mounting dimension

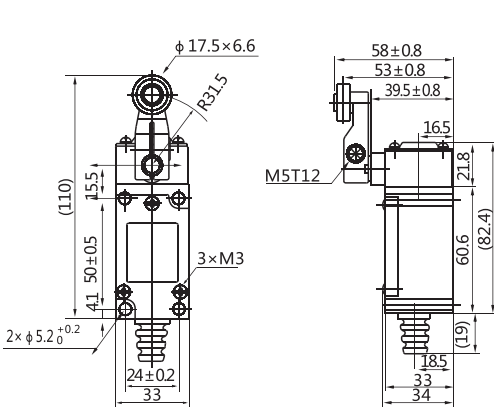


Fig1 HL-5000

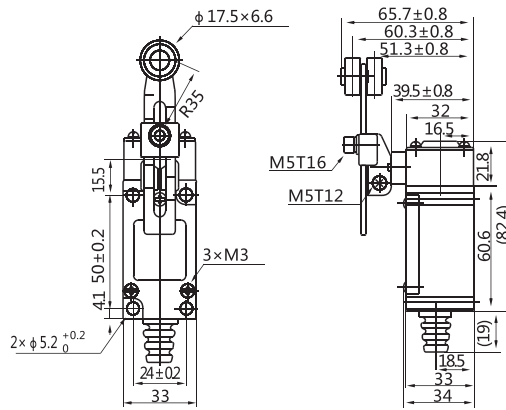


Fig2 HL-5030

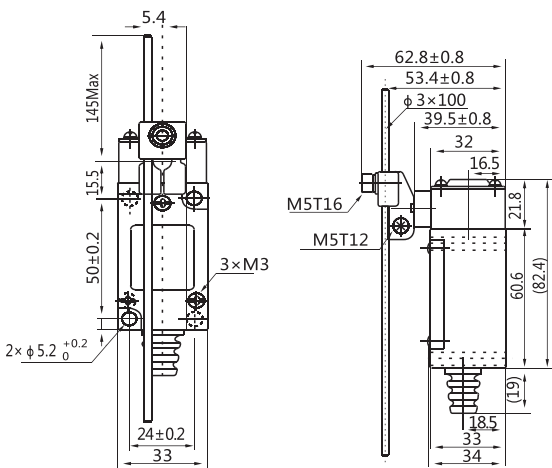


Fig3 HL-5050

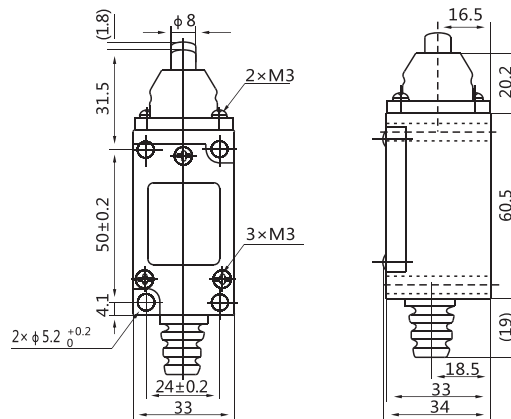


Fig4 HL-5100

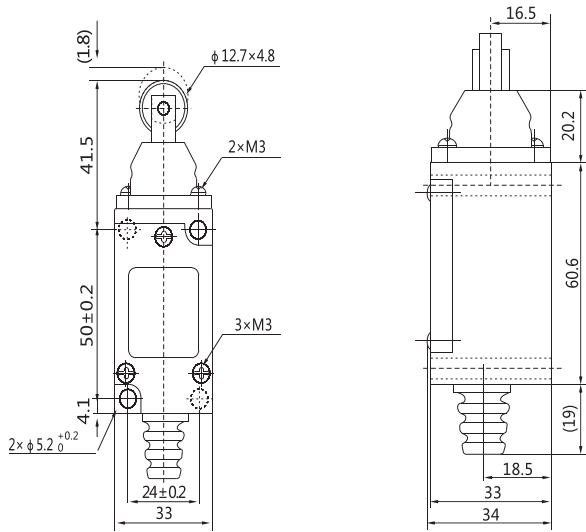


Fig5 HL-5200

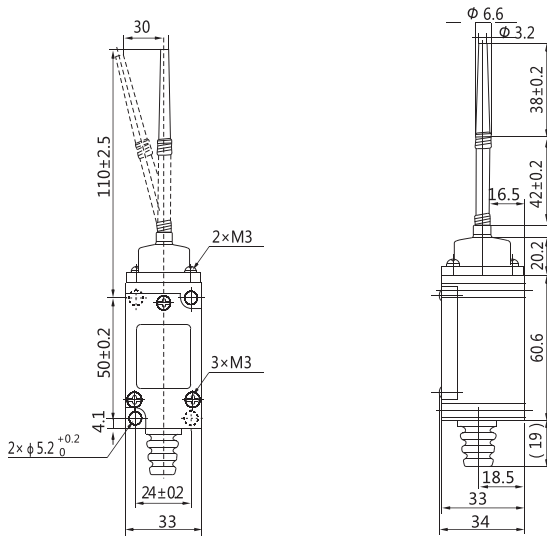


Fig6 HL-5300

► Notice

Please Notice production Model No., quantity and special requirements in the order.