

DDS858型

Single-phase electronic meter



single-phase electronic meter(A type)

1.Application

DDS858 single-phase electronic meter,adopts Microelectronic technology,computer technology,SMT manufacture technology,directly measure each phase Positive and negative active energy.

This product conforms to standard of IEC 62053-21-2003.

2.Main technical parameter

Model No.	Type	Reference voltage Un	Rated current In	Impulse constant
DDS858	single-phase	220V	1.5(6)A(transformer type)	With the meter marked pulse constant as the standard
			3(6)A(transformer type)	
			1.5(6)A(direct type)	
			3(6)A(direct type)	
			2.5(10)A	
			5(20)A	
			10(40)A	
			15(60)A	
			20(80)A	
			30(100)A	

3.Basic error

Basic error limit of balance load

current I	power factor	basic error %	
		1.0 level	2.0 level
$0.05I_b \leq I < 0.1I_b$	1	± 1.5	± 2.5
$0.1I_b \leq I \leq I_{max}$	1	± 1.0	± 2.0
$0.1I_b \leq I < 0.2I_b$	0.5(inductive)/0.8(capacitive)	± 1.5	± 2.5
$0.2I_b \leq I \leq I_{max}$	0.5(inductive)/0.8(capacitive)	± 1.0	± 2.0

DDS858型

Single-phase electronic meter



single-phase electronic meter(B type)

4.Parameter

data save time after power-off	≤10 years
electrical parameter	
normal operate voltage	0.8-1.2 rated voltage
insulation voltage	≥2000V (AC)
voltage circuit power-consumption	≤1W
battery consumption after power off	≤10 μA

start

Under rated voltage,reference frequency and $\text{COS}\Phi=1.0$ (or $\text{SIN}\Phi=1.0$),load current is 0.004Ib(1.0level),0.005Ib(2.0 level)meter shall count power constantly.

shunt running

voltage circuit with rated voltage 115%,current circuit break-off without current shall have no power impulse output.

5.Environment condition

Normal operate temperature: $-20^{\circ}\text{C}\sim+50^{\circ}\text{C}$

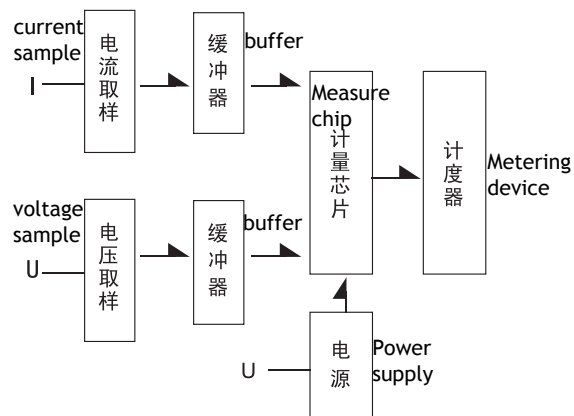
Ultimate operate temperature: $-30^{\circ}\text{C}\sim+60^{\circ}\text{C}$

Storage and transport temperature: $-25^{\circ}\text{C}\sim+70^{\circ}\text{C}$

Annual average temperature $\leq 75\%$

30 days of one year(Natural way) humidity can reach 95%,the other time can reach 85%

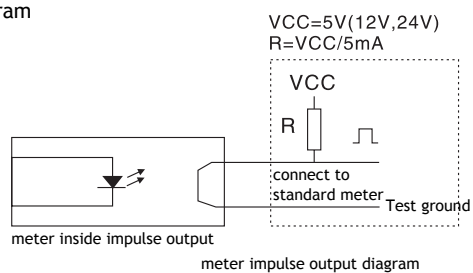
6.Operate principle



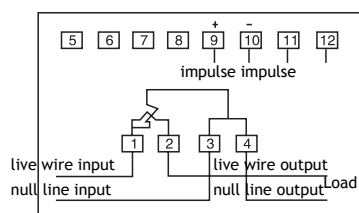
DDS858型 Single-phase electronic meter

7. Terminal connect diagram

◆ Active test port diagram

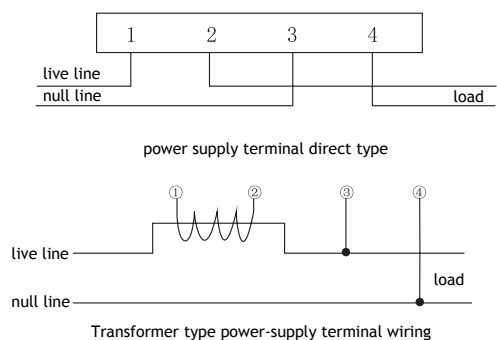


◆ Functional terminal A type



◆ Functional terminal B type

Meter shall be wiring according to End button box cover diagram.



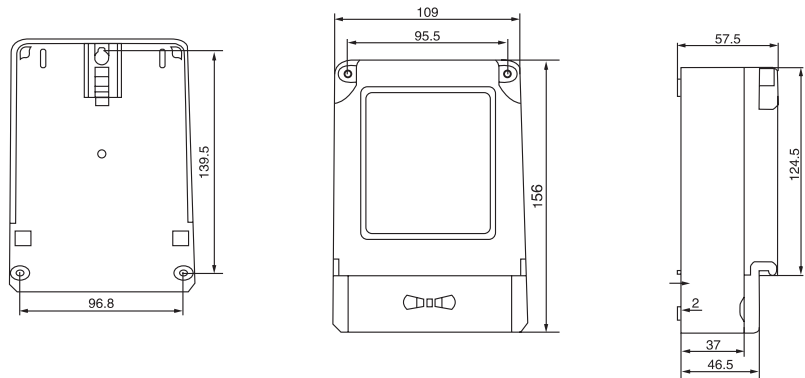
DDS858型

Single-phase electronic meter

8. Install and shape dimension

Meter upper has hook screw hole, using M4 type Hook screw, lower has 2 install hole, using M4 x10 or M4 x 12 tapping screw fixed at wire board(Fig1)

◆ shape dimension FigA type



◆ shape dimension FigB type

