

▶ **Application**

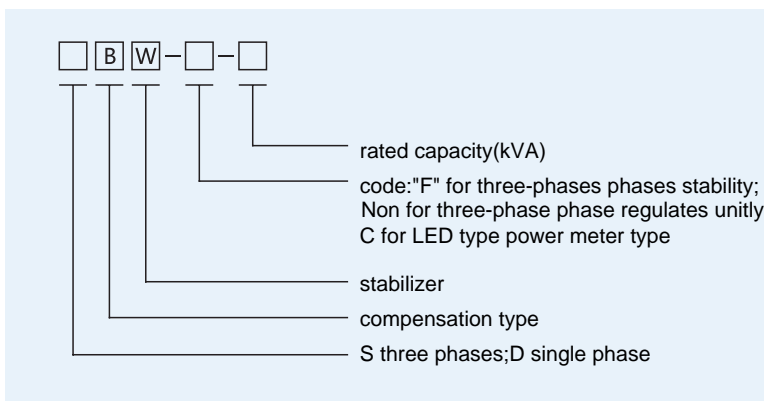
DBW,SBW,series full-automatic compensation type power voltage regulator, is made for stabilizing the voltage fluctuation which causes by power net fluctuation or loading changing to keep the output voltage stabilization automatically.

This production has the advantages of large-capacity,high-effection,voltage regulation smooth,no-waveform distortion,wide application,long-operation period,available manual operation,easy using.

This production conforms the standard of JB/T7620.



▶ **Model NO.**



▶ **Normal operational environment and installation condition**

Operation location:indoor

2.1 ambient temperature:-5C to +40C

2.2 altityde:no higher than 1000m

2.3 relative humidity: lower than 90%(at +20C)

2.4 installation location should have no explosive or corrosive mediums like gas,steam,chemical plating,dust to influence the insualtion of stabilizer.

2.5 if any special,please consult with us.

▶ **Characteristic**

3.1 with boot delay function

when it is operating at stabilize state,press stabilize button,after stabilizer boot regulating to stabilize rated value,then it outputs voltage to equipments.

3.2 with output overvoltage protection and alarm function

at stabilize state,when input voltage exceeds range(204V-456V) or the ouput voltage exceeds overvoltage(419-433V) caused by other reasons,stabilizer would cut power off and alarming,when output voltage reduces to normal level,it would recover to operation state.

3.3 with phase sequence protection function

when input three-phase circuit exists phases-loss or wrong phases, protect relay would cut power off.



▶ Main technical parameter

production specification and main technical parameter see Table1

Table1

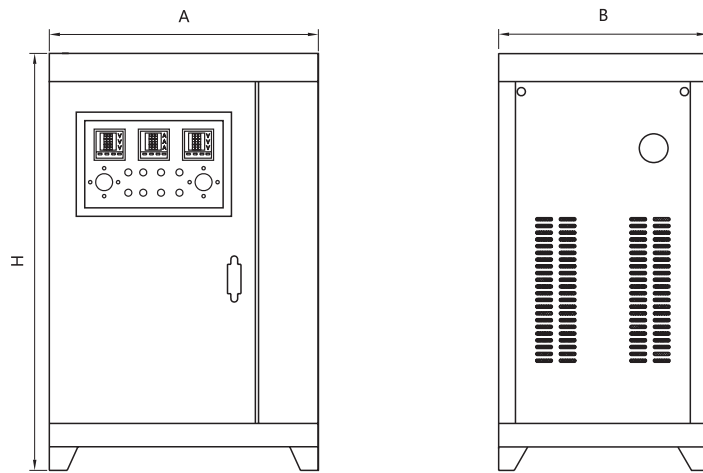
model no.	rated capacity kVA	output current A	phase	input voltage V	output voltage V	accuracy	overvoltage protection V	withstand voltage	insulation resistance MΩ	effection	frequency Hz
SBW-20	20	31	three-phase	304 ~ 456	380	±3%	426±7	2000V 1min no breakdown	≥5	≥97%	50 ~ 60
SBW-30	30	46									
SBW-50	50	76									
SBW-100	100	152									
SBW-180	180	273									
SBW-225	225	342									
SBW-320	320	487									
SBW-400	400	606									
SBW-600	600	910									
SBW-800	800	1212									
SBW-1000	1000	1515									
SBW-1200	1200	1818									
DBW-20	20	91	single-phase	176 ~ 264	220	±3%	246±4	2000V 1min no breakdown			
DBW-30	30	137									
DBW-50	50	228									
DBW-100	100	455									

▶ shape dimension

see Table2 and following diagram

Table2

Model No.	Dimension (AxBxH)mm	cabinet
SBW-20 ~ 50kVA	800×620×1240	1
SBW-75 ~ 100kVA	850×620×1400	1
SBW-150 ~ 250kVA	1050×750×1750	1
SBW-300 ~ 400kVA	1200×950×2000	1
SBW-500 ~ 600kVA	1100×1300×22100	1
SBW-800 ~ 1200kVA	1100×800×2100	4
DBW-20 ~ 50kVA	800×620×1240	1
DBW-100kVA	850×620×1400	1



diagram

---

▶ **Notice**

7.1 Please note the production's model No.,capacity,rated output voltage, input voltage range,accuracy,power input(output) distance.

7.2 If any requirement,please consult with us.