

## ▶ Application

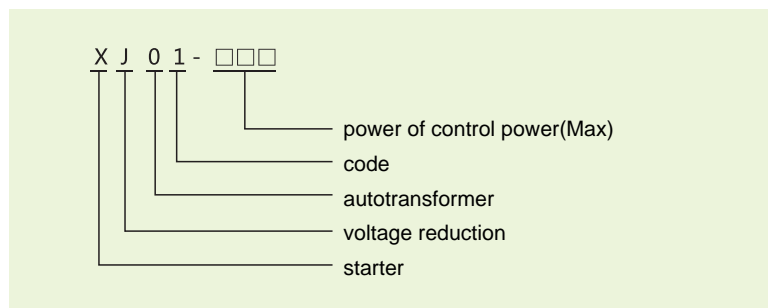
XJ01 series Autotransformer start box is applicable for Three-phase squirrel-cage induction of AC50Hz, rated operational voltage 380V, capacity up to 400kW as voltage reducing and motor unfrequency starting.

It also applied to industry motor device.

This production has advantages of simple structure, economy, easy operating and overload protective function.

This production conforms to standard of GB14048.4, IEC60947.

## ▶ Model No.



## ▶ Normal working condition and installation condition

3.1 Altitude: lower than 2000m.

3.2 Ambient temperature: no higher than +40°C, and no lower than -5°C, and day average temperature shall no more than +35°C.

3.3 Humidity: Relative humidity shall not exceed 50% at the Max temperature 40°C, and higher humidity could be accepted at lower temperature.

The condensation must be taken care which is caused by temperature change.

3.4 Pollution class: III type

3.5 Angle between installation plane and horizontal plane should not exceed 5°.

3.6 Installation location have no affect of obvious vibration and impact, rain and snow. It also have no corrosive gas and conductive dust.

This production works indoors.

## ▶ Structure and operation principle

### 4.1 Structure

This production has box protection, it consists of autotransformer, contactor, thermal relay, time relay, etc. Auto-operation is adopted for the productions which power is lower than 75kW. Manual and Auto operation are both adopted for 90kW and above.

Time relay can adjust the starting time freely according to loading. (range: 1s-15s).

Autotransformer coil should have two sets leads of 80% and 65% of rated voltage, the default lead is 65% lead. (special requirement should consult with manufacturer.)

### 4.2 Operational principle

According to Autotransformer voltage reduction principle, this production reduces impulse and damage of power network cause by motor starting current, see Fig1, Fig2.

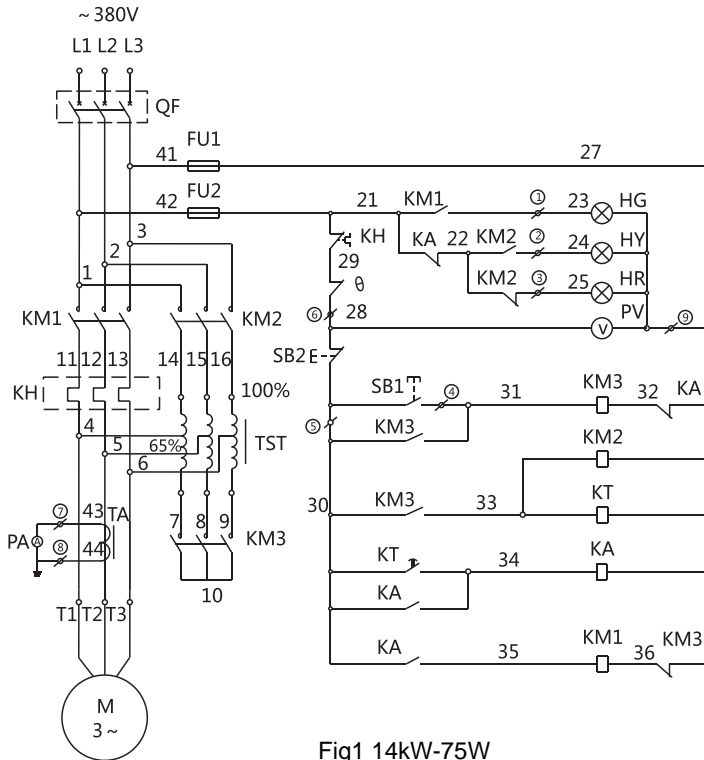


Fig1 14kW-75W

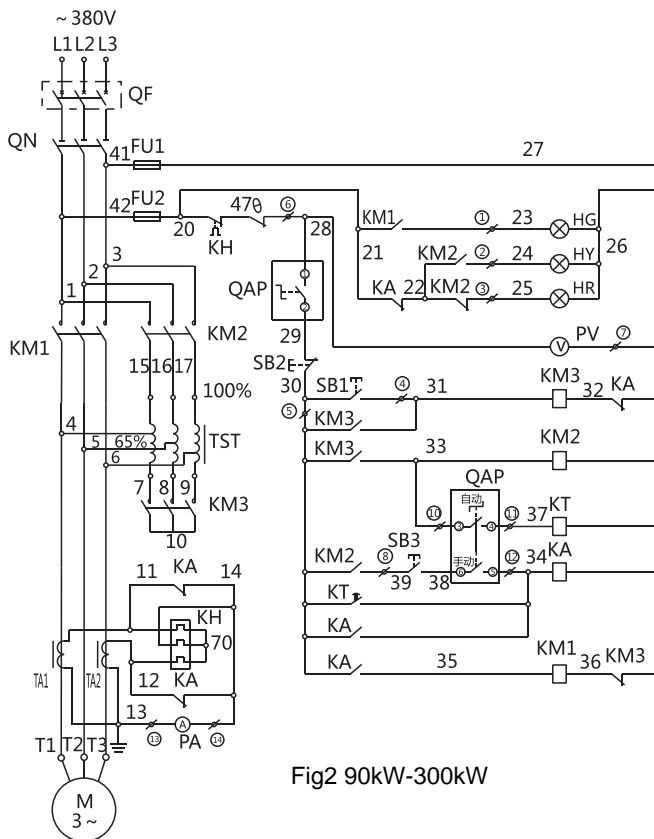


Fig2 90kW-300kW

## ▶ Main Technical data

Table1

Model No.	Control motor power Max(kW)	Max Operational current Ie(A)	Autotransformer TST power(kW)	Current transformer TA ratio	Thermal relay Kh Setting current parameter(A)
XJ01-14	14	28	14	50/5	28
XJ01-17	17	34	17	50/5	34
XJ01-22	22	43	22	50/5	43
XJ01-30	30	58	30	75/5	58
XJ01-40	40	77	40	100/5	77
XJ01-55	55	110	55	150/5	110
XJ01-75	75	142	75	200/5	142
XJ01-90	90	170	90	300/5	2.9
XJ01-100	100	190	100	300/5	3.2
XJ01-115	115	218	115	300/5	3.5
XJ01-135	135	256	135	600/5	2.2
XJ01-155	155	300	155	600/5	2.5
XJ01-190	190	350	190	600/5	3
XJ01-225	225	410	225	800/5	2.6
XJ01-260	260	480	260	800/5	3
XJ01-300	300	530	300	800/5	3.4

## ▶ Appearance and mounting dimensions

Table2

Model No.	Shape dimension(mm)			mounting dimension(mm)		Mounting Boring diameterØ	Diagram
	Amax	Bmax	Cmax	E±5	F±5		
XJ01-14~30	400	700	280	370	120	10	Fig1
XJ01-40~75	500	1000	310	470	230	10	Fig1
XJ01-90~115	550	1260	420	490	280	10	Fig1
XJ01-135~190	610	1440	490	560	325	10	Fig2
XJ01-225~300	700	1700	590	645	410	12	Fig2

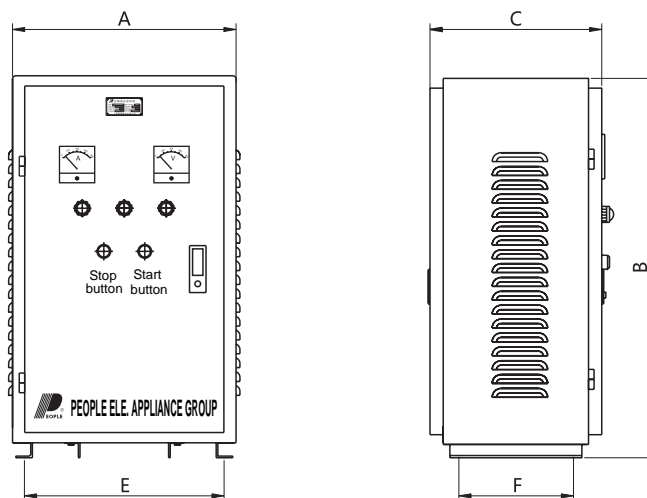


Fig3 14kW-75W

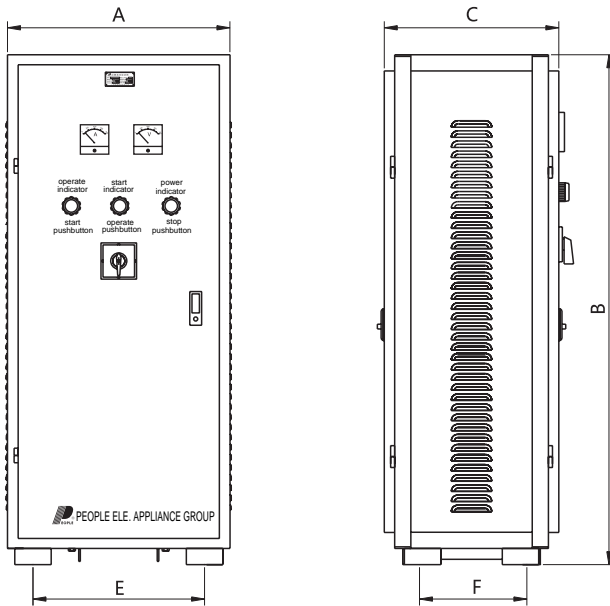


Fig4 90kW-300kW

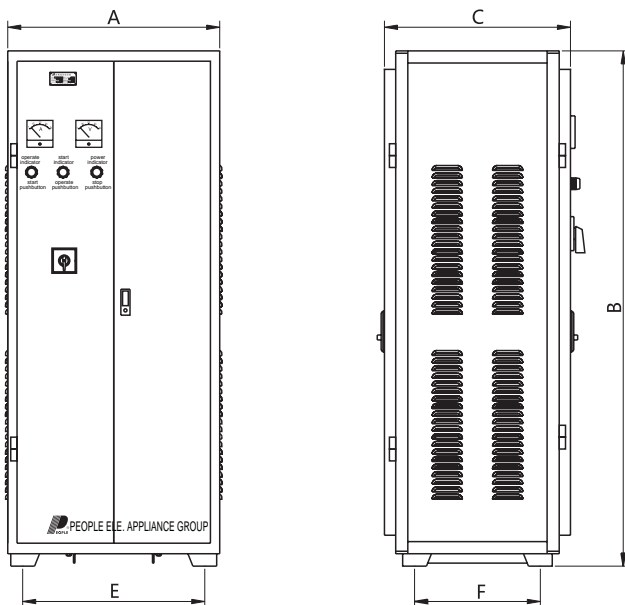


Fig5 225kW-300kW

► **Notice**

Please note the Production model no., control motor power, rated operational voltage, loading type and quantity.