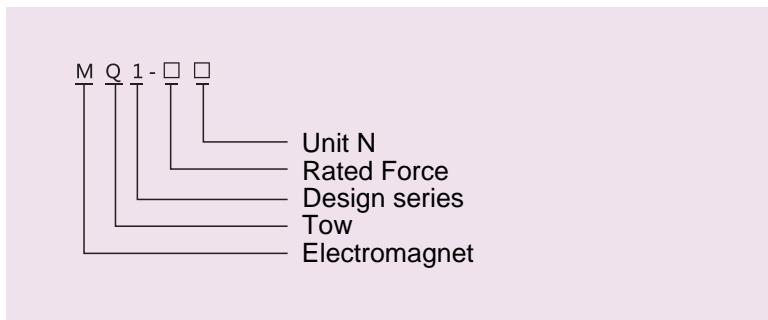


▶ Application

MQ1 series traction magnet for AC 50Hz 380V and below the control circuit, mainly for remote control of machines and automation systems to operating traction mechanism.



▶ Type and meaning



▶ Normal operation & installation condition

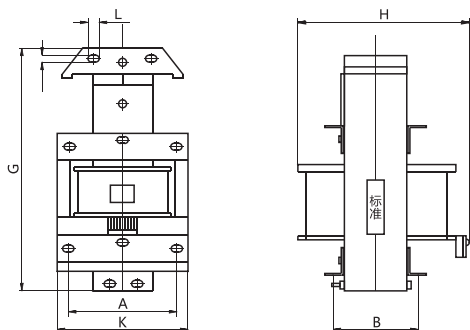
- 3.1 Altitude less than 2000m
- 3.2 Ambient temperature: -25℃ to 40℃
- 3.3 Relative humidity less than 90%
- 3.4 No significant vibration and shock of the occasion
- 3.5 Don't use in metal corrosion and breakdown of gas and dust (including conductive dust) environment

▶ Main Technical Data

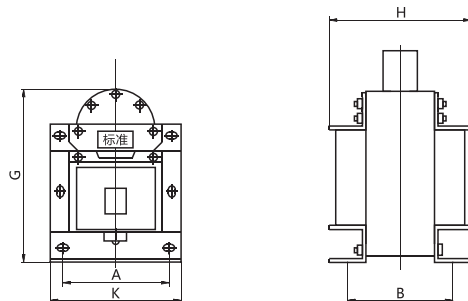
Table 1

Type	Work type	Rated force	Displacement	Duty circle	Frequency
MQ1-1.5N	Pull type	15N	20mm	60%	600/Hour
MQ1-3N	Pull type	30N	25mm	60%	600/Hour
MQ1-5N	Pull type	50N	25mm	60%	600/Hour
MQ1-8N	Pull type	80N	25mm	60%	600/Hour
MQ1-15N	Pull type	150N	50mm	60%	300/Hour
MQ1-25N	Pull type	250N	30mm	60%	1200/Hour
MQ1-0.7Z	Pull type	7N	10mm	60%	600/Hour
MQ1-1.5Z	Pull type	15N	20mm	60%	600/Hour
MQ1-3Z	Pull type	30N	25mm	60%	600/Hour
MQ1-5Z	Pull type	50N	25mm	60%	600/Hour
MQ1-8Z	Pull type	80N	25mm	60%	600/Hour

▶ Outline and installation dimension



Drawing 1 (Push type)



Drawing 2 (Pull type)

Table 2

Type	A±1(mm)	B±1(mm)	L±1(mm)	P±1(mm)	H±1(mm)	K±1(mm)	G±1(mm)
MQ1-1.5N	55	39	8	6	68	68	85
MQ1-3N	60	50	8	6	76	81	97
MQ1-5N	83	58	10	7	82	106	119
MQ1-8N	83	70	10	7	95	106	119
MQ1-15N	108	85	12	9	122	113	183
MQ1-25N	108	118	12	9	150	143	183
MQ1-0.7Z	40	38	7	5	50	48	65
MQ1-1.5Z	55	40	8	6	72	68	117
MQ1-3Z	60	50	8	6	80	81	136
MQ1-5Z	83	60	10	7	90	106	160
MQ1-8Z	83	77	10	7	103	106	160